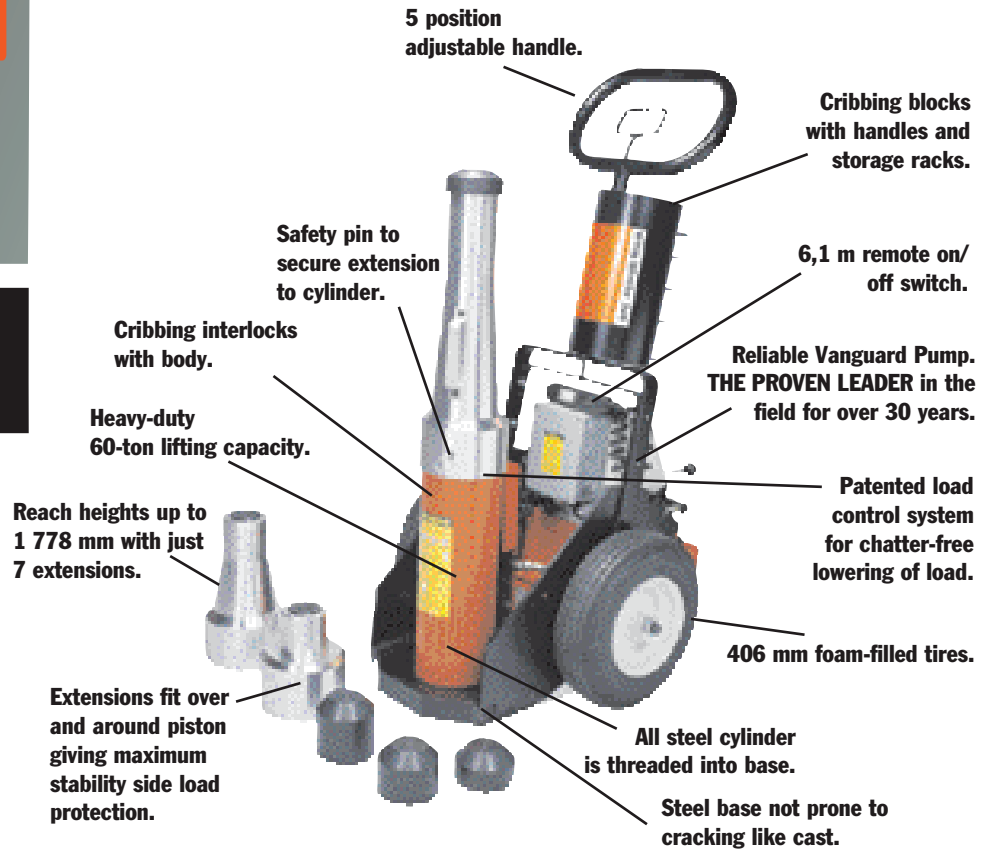


# Portable HIGH TONNAGE JACKS

## 60-100 Ton Railroad Edition

Portable & compact, ideal for locomotive and railcar mining.

JACKS



- Patented load lowering valve. Lowers load smoothly and safely. Eliminates dangerous chatter and bounce.
- Full range of rod extensions. Jack comes fully equipped with extensions to match lifting pad heights on most rolling stock. Max. lifting height to 1 778 mm .
- Low collapsed height, long stroke. 610 mm collapsed height for low-clearance lift pads. 360 mm stroke for maximum lift.
- Adjustable, ergonomic handle. Handle tilts to start the job and is easily locked/unlocked without moving from operating position.
- Cribbing block set with handles and convenient storage rack. Provides solid mechanical load holding.
- High-profile, low rolling resistance, foam-filled tires. Jack can be moved and positioned with minimal effort. No chance of downtime due to punctured tires.
- Electric and air motor options. Quiet, powerful air and electric motor powered units available.
- Contact factory for:-
  - lower collapsed height
  - custom cribbing block sizes
  - custom piston rod extensions

### POWER UNIT SPECIFICATIONS

Order No.	Motor	Power Req.	Motor Control	Valve Function	Power Cord	dBa at 700 bar
<b>PLE6014-220</b>	0,84 kW, 220 VAC***, 50 Hz Single Phase	12 amps	6,1 m Remote Control	Lift Hold Lower Manual	Pigtail	80/95
<b>PLA6014</b>	Rotary Air Powered	1,4 cu.m at 6 bar	6,1 m Remote Air Control	Lift Hold Lower Manual	NA	82

\*\*\* For 110/115V-50/60 Hz order PLE6014



**Electric Model  
(PLE6014K)**



**Air Model  
(PLA6014K)**

**CRIBBING BLOCKS  
(CBS60, INCLUDED)**

Qty.	Height (mm)	Order Number
1	38,1	<b>351954</b>
4	76,2	<b>351953</b>

**EXTENSIONS  
(PL60 EXT, INCLUDED)**

Extension Length (mm)	Order Number	Extension Weight (kg)
25,4	<b>351931</b>	2,2
50,8	<b>351927</b>	4,0
76,2	<b>351928</b>	6,4
101,6	<b>351929</b>	8,7
127	<b>66053</b>	9,5
254	<b>66054</b>	13,8
508	<b>66055</b>	22,1

**LIFTING RANGE**  
Lifting range (in 25,4 mm increments): 610 mm- 1.778 mm.  
Only 3 extensions are needed to provide this range.  
Do NOT exceed 1.778 mm lifting range on 60-ton unit or 1.489 mm on 100-ton unit.

ORDER INFORMATION						
Capacity (Tons)	Stroke (mm)	Order Number	Retracted Height (mm)	Extended Ht. w/Extensions (mm)	Product Wt. Less Cribbing & Ext. (kg)	
60	356	<b>*PLA6014K</b>	610	1.778	237	
60	356	<b>*PLE6014K-220</b>	610	1.778	237	
100	356	Consult Factory	610	1.499	237	

\*Includes cribbing block set stored on jack handle rack, and 7 extensions (25,4; 50,8; 76,2; 101,6; 127; 254 and 308 mm)

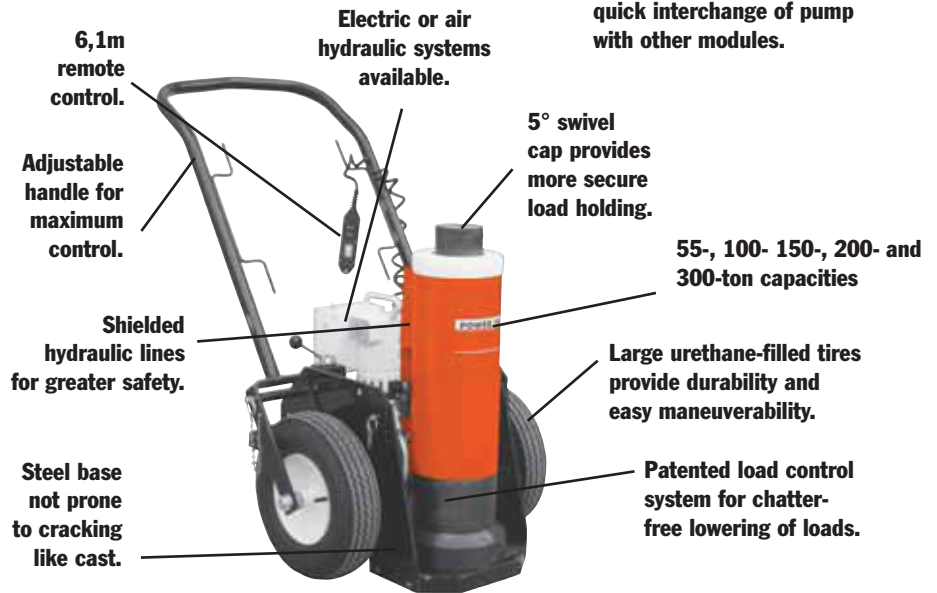
**PLE6014** = Jack, Electric (115 V), includes: Cart, Pump & Cylinder  
**PLE6014-220** = Jack, Electric (220 V.) includes: Cart, Pump & Cylinder  
**PLA6014** = Jack, Air, includes: Cart, Pump & Cylinder  
**CBS60** = Cribbing Block Set (5 cribbing blocks)  
**PL60EXT** = Extension Set (Consists of 7 extensions)

# Portable HIGH TONNAGE

55, 100, 150, 200 &  
300 Ton

Portable and compact, ideal for locomotive/railcar, mining and heavy equipment maintenance.

JACKS

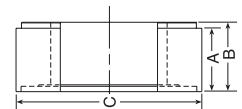


- Modular design - pump and cart separate from cylinder and base.
- Five tonnage capacity options - 55-ton, 100-ton, 150-ton, 200-ton and 300-ton.
- Three collapsed height options – 660, 838 and 1,143 mm.
- Two standard power options - air (PA55) and electric (PE55).
- Two control options - remote motor control and remote valve/motor control.
- Accessory options – 168 mm extension, load-holding rings.
- Select the collapsed height to fit your most frequent application - add jacking modules to suit your needs.
- Remote operation for maximum operator safety and control - choose "motor only" or "motor and valve" control in the hand.
- Easy to maneuver - large tires and small "footprint" make it easy to scoot into the tightest quarters, then locate the exact lifting position.
- Adjustable, heavy-duty handle - makes this jack easy to move, position under vehicles. Can also be used to transport jack on site with a forklift.
- Load-holding rings (optional) - provide full rated mechanical load-holding capability.
- Cylinder extension (optional) - adds more versatility by extending your jack's reach.
- Low-temperature oil (optional) - provides smooth, reliable operation in the coldest climate conditions.
- Modular design - allows you to change lifting modules to suit your tonnage or height requirements. Use the pump module as a portable power station for your other double-acting cylinders (700 bar).
- Exclusive load-control system - provides positive, chatter-free control when lowering the load.
- Shielded and sheltered hydraulic lines - for safer, longer, trouble-free service.

## ORDER INFORMATION

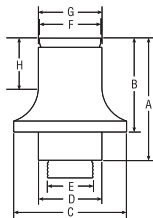
### CRIBBING BLOCK SETS - INCLUDES ONE JACK MODULE EXTENSION

Order No.	55 Ton CBS55		100 Ton CBS100		150 Ton CBS150		200 Ton CBS200	
	No. in Set	1	4	1	4	1	4	1
A	38,1	76,2	38,1	76,2	38,1	76,2	38,1	76,2
B	44,5	82,5	44,5	82,5	44,5	82,5	44,5	82,5
C	139,7	139,7	187,3	187,3	222,2	222,2	254	254
Jack Module Ext.	173		177,8		168,3		168,3	
Total Stack Ht.	515,9		520,7		511,2		511,2	
Product Wt. (.kg)	16,3		30,9		38,6		47,6	



- Convert jack module into stable mechanical cribbing device.
- Increase retracted height up to 521 mm inches.

CBS300 (300 Ton): Consult Factory

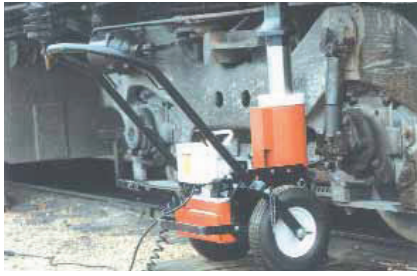


## ORDER INFORMATION

### JACK MODULE EXTENSIONS

(Tons)	No.	A (mm)	B (mm)	C (mm)	D (mm)	E (in.)	F (mm)	G (mm)	H (mm)	Prod. Wt. (kg)
55	58945	223,8	173	127	66,8	1 <sup>11</sup> / <sub>16</sub> -8UN	63,5	66,8	92,2	9,5
100	58943	228,6	177,8	174,7	98,6	2 <sup>3</sup> / <sub>4</sub> -12UN	95,3	98,6	95,3	18,2
150	58944	219,2	168,4	203,2	114,3	3 <sup>1</sup> / <sub>4</sub> -8UNC	111,3	114,3	88,9	22,7

- Increases jack's reach.
- Swivel cap (5° max.) provides more secure load holding.



### Pump & cart modules (PM)

Pump and cart modules contain hydraulic pump, cart, remote control and all hoses and fittings required to connect to a jack module. Jack modules easily separate from the pump and cart module. Extra jack modules may be purchased for a wide variety of lifting applications.



**Air pump and cart module. (PMA)**



**Electric pump and cart module. (PME)**

Remote Control		
Pump	Motor Only	Motor & Valve
Air	<b>PMA55</b>	<b>PMA55S</b>
Electric (110V)	<b>PME55<sup>†</sup></b>	<b>PME55S<sup>†</sup></b>
Electric (220V)	<b>PME55-50-220<sup>††</sup></b>	<b>PME55S-50-220<sup>††</sup></b>
Air	<b>PMA355</b>	<b>PMA355S</b>
Electric (220V)	<b>PME355-50-220<sup>††</sup></b>	<b>PME355S-50-220<sup>††</sup></b>

<sup>†</sup>110V / 115V 60Hz Single phase motor.

<sup>††</sup>220V / 50Hz / 60Hz Single phase motor.



**660 mm (26") Jack Module**

**838 mm (33") Jack Module**

**1,143 mm (45") Jack Module**

### Jack modules (JM)

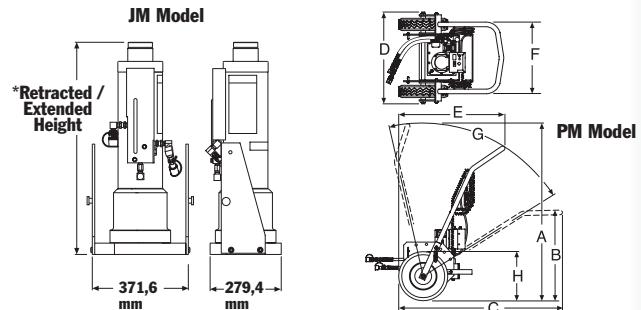
Additional Jack Modules may be purchased for varying applications.

Tonnage	Cylinder Stroke (mm)	Collapsed Height		
		26" 660mm	33" 838mm	45" 1,143mm
55	333	<b>JM25</b>	<b>JM35</b>	<b>JM45</b>
100	333	<b>JM210</b>	<b>JM310</b>	<b>JM410</b>
150	460	<b>JM215**</b>	<b>JM315</b>	<b>JM415</b>
200	460	<b>JM220*</b>	<b>JM320</b>	<b>JM420</b>
300***	333	<b>JM300*</b>	<b>JM330</b>	<b>JM430</b>

\* Collapsed height: 711 mm & Cylinder Stroke: 333 mm

\*\* Cylinder Stroke 333 mm

\*\*\* Must use PMx355x versions of pump/cart modules above.



### DIMENSIONS (MM)

Model Series	A	B	C	D	E	F	G	H
<b>PMA &amp; PME</b>	1.464	752	1.353	762	872	594	*70°	406 mm Tire Dia.

\* Total range with varying degree increments.

### ORDER INFORMATION – Pump and Cart Modules with Assembled Jack Module

Capacity (tons)	Ret. Height (mm)	Ext. Height (mm)	Stroke (mm)	Pump Type	Power Required	Valve Type	Remote Control	Order No.
55	660,4	994	333	Electric	25 amps	Manual	M	<b>JEM5526<sup>†</sup></b>
100	838,2	1.172	333	Air	1,4 cu m /min at 6 bar	Manual	M	<b>JAM10033</b>
100	838,2	1.172	333	Air	1,4 cu m /min at 6 bar	Air Pilot	M & V	<b>JAR10033</b>
150	660,4	994	333	Electric	25 amps	Manual	M	<b>JEM15026<sup>†</sup></b>
150	838,2	1.172	333	Air	1,4 cu m /min at 6 bar	Manual	M	<b>JAM15033</b>
200	711	1.044	333	Electric	25 amps	Remote	M & V	<b>JER20026<sup>†</sup></b>
300	838,2	1.172	333	Air	1,4 cu m /min at 6 bar	Air Pilot	M & V	<b>JAR30033</b>

Different Modules Configuration available upon request.

<sup>†</sup>110V / 115V 60Hz Single phase motor. (220V / 50Hz / 60Hz Single phase motor upon request, please specify when ordering)