

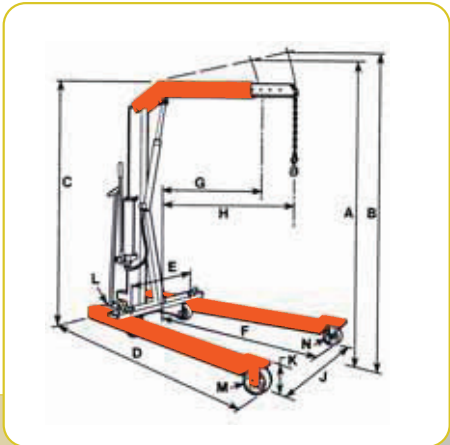
# Mobile Floor Cranes

1000 - 2000 kg

SHOP EQUIPMENT



**Load-Rotors (Tilters)**  
 • For lifting or positioning components, POWER TEAM'S heavy duty lifting slings are available (consult factory)



## DIMENSIONS

Order No.: **FC2200** **FC4400**

Cap., boom ret. (kg)	1,000	2,000
Cap., boom ext. (kg)	750	1,500
A Max. boom hgt., ret (mm)	2,718	2,819
B Max. boom hgt., ext.(mm)	2,972	3,099
C Overall hgt., boom horiz.(mm)	2,032	2,083
D Overall length (mm)	2,108	2,261
E Min. throat width (mm)	610	635
F Inside leg length (mm)	1,372	1,461
G Eff. boom reach -ret.(mm)	838	902
H Eff. boom reach -ext. (mm)	1,219	1,238
J Inside leg width (mm)	610 - 914 - 1,219 (3 -position)	660 - 1,016 - 1,333 (3 -position)
K Leg height (mm)	203	241
L Dolly wheel diameter(mm)	127	127
M Wheel diameter (mm)	152	203
N Caster diameter (mm)	152	152
space, folded (mm)	686 x 965	787 x 1,067
Height, folded (mm)	2,007	2,184

- Adjustable legs spread to clear obstacles, telescoping boom for extra reach. Rugged construction, reliable hydraulics.
- Boom collapses completely and legs fold for compact storage.
- 2-speed hydraulic hand pump provides fast boom travel and precise operator controlled descent.
- Roller bearing wheels and a steering dolly provide ease of mobility. Lifting chain is included.

**No. FC4400** – 2000 kg cap. crane with fold-away feature, adj. leg spread, lifting chain and 2-speed hand pump. Wt.293 kg.