

# Measurements/ Specifications

## TORQUE WRENCH SELECTION GUIDE



**TWSD Series  
(Square Drive)**



**TWLC Series  
(Low Clearance)**

### Torque Wrench Selection Guide

#### BOLT - TORQUE

#### TOOL GUIDELINE

SAE1 SAE 2 30,000 PSI	ASTM 193 B7 BOLT	8-7 A/F HEAVY HEX NUT	ASTM 354 B8 60000 PSI	FT. LBS.	Nm	RECOMMENDED MODEL			
						SQUARE DRIVE MAKE-UP ONLY	LOW CLEARANCE MAKE-UP	SQUARE DRIVE Break Out	LOW CLEARANCE Break Out
1"	7/8"	1-7/16"		300	408	TWSD1	TWLC2	TWSD1	TWLC2
1-1/8"	1"	1-5/8"	7/8"	425	578	TWSD1	TWLC2	TWSD1	TWLC2
				500	680	TWSD1	TWLC2	TWSD1	TWLC2
1-1/4"			1"	600	816	TWSD1	TWLC2	TWSD1	TWLC2
1-3/8"	1-1/8"	1-13/16"		700	952	TWSD1	TWLC2	TWSD1	TWLC2
	1-1/4"	2"	1-1/8"	800	1,088	TWSD1	TWLC2	TWSD3	TWLC4
1-1/2"				900	1,224	TWSD1	TWLC2	TWSD3	TWLC4
				1,000	1,360	TWSD1	TWLC2	TWSD3	TWLC4
1-5/8"	1-3/8"	2-3/16"	1-1/4"	1,250	1,700	TWSD1	TWLC2	TWSD3	TWLC4
				1,350	1,836	TWSD1	TWLC2	TWSD3	TWLC4
	1-1/2"	2-3/8"	1-3/8"	1,500	2,040	TWSD3	TWLC2	TWSD3	TWLC4
1-3/4"				1,600	2,176	TWSD3	TWLC4	TWSD6	TWLC4
1-7/8"				1,800	2,448	TWSD3	TWLC4	TWSD6	TWLC4
	1-5/8"	2-9/16"		2,000	2,720	TWSD3	TWLC4	TWSD6	TWLC4
2"				2,200	2,992	TWSD3	TWLC4	TWSD6	TWLC8
	1-3/4"	2-3/4"	1-5/8"	2,600	3,536	TWSD3	TWLC4	TWSD6	TWLC8
2-1/4"				3,000	4,080	TWSD3	TWLC4	TWSD6	TWLC8
	1-7/8"	2-15/16"	1-3/4"	3,700	5,032	TWSD6	TWLC4	TWSD11	TWLC8
2-1/2"	2"	3-1/8"		4,000	5,440	TWSD6	TWLC8	TWSD11	TWLC15
			1-7/8"	4,400	5,984	TWSD6	TWLC8	TWSD11	TWLC15
2-3/4"			2"	5,100	6,936	TWSD6	TWLC8	TWSD11	TWLC15
	2-1/4"	3-1/2"		6,000	8,160	TWSD6	TWLC8	TWSD25	TWLC15
3"		3-7/8"	2-1/4"	7,000	9,520	TWSD11	TWLC8	TWSD25	TWLC15
	2-1/2"			8,000	10,880	TWSD11	TWLC15	TWSD25	TWLC30
3-1/4"				9,000	12,240	TWSD11	TWLC15	TWSD25	TWLC30
3-1/2"	2-3/4"	4-1/4"	2-1/2"	10,000	13,600	TWSD11	TWLC15	TWSD25	TWLC30
				11,500	15,640	TWSD25	TWLC15	TWSD25	TWLC30
3-3/4"	3"	4-5/8"	2-3/4"	13,000	17,680	TWSD25	TWLC15	Please Inquire	TWLC30
4"				14,500	19,720	TWSD25	TWLC15	Please Inquire	
				15,500	21,080	TWSD25	TWLC30	Please Inquire	
4-1/4"	3-1/4"	5"	3"	16,500	22,440	TWSD25	TWLC30	Please Inquire	
				19,500	26,520	TWSD25	TWLC30	Please Inquire	
4-1/2"	3-1/2"	5-3/8"	3-1/4"	20,500	27,880	TWSD25	TWLC30	Please Inquire: For Higher Torque Values	
				21,500	29,240	TWSD25	TWLC30		
4-3/4"	3-3/4"	5-3/4"	3-1/2"	24,500	33,320	TWSD25	TWLC30		
6-1/2"	4-1/4"			25,500	34,680	Please Inquire	TWLC30		
				29,500	40,120	Please Inquire	Please Inquire		

HYDRAULIC TOOLS

# Torque Wrench

## SQUARE DRIVE

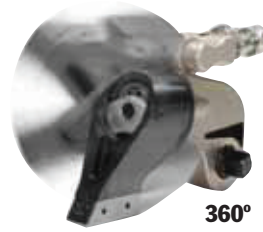
**TWSD Series**  
**MAX TORQUE 33496 Nm**  
 700 bar

Heavy duty simple-to-use. Accuracy and speed under load. Breaking nuts loose and torquing.



**TWSD Series**

Tool is shipped with standard reaction arm as shown.



**360° Reaction Arm**

TOPSIDE  
SUB-SEA  
APPLICATION

RIGID  
LIGHTWEIGHT  
ALL-STEEL  
BODY

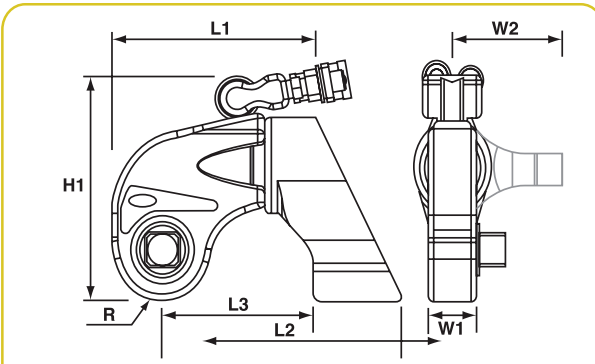


**360° x 180°  
Swivel**

HYDRAULIC TOOLS

### SQUARE DRIVE TORQUE WRENCHES

- Low Weight, High Strength Design
- Superior Torsional Strength
- Fast Operation Cycle
- Fine Tooth Pawl
- Floating Piston Design
- Internal Swivel Manifold Relief
- Rigid Steel Body Construction
- Compact Frame Size
- Push Button Reversal of Square Drive
- Corrosion Resistant Finish
- 360° Reaction Arm
- Push to Click Reaction Arms
- Multi-Axis High Flow Swivel Manifold
- Simple Design
- Consistent Torque Output
- Fully Enclosed Drive Mechanism
- Accurate Torque Output
- Marathon Lifetime Warranty



<b>Extended Reaction Arm (Optional)</b>	
<b>TWSD1-ERA</b>	
<b>TWSD3-ERA</b>	
<b>TWSD6-ERA</b>	
<b>TWSD11-ERA</b>	
<b>TWSD25-ERA</b>	

<b>Long Reaction Arm (Optional)</b>	
<b>TWSD1-LRA</b>	
<b>TWSD3-LRA</b>	
<b>TWSD6-LRA</b>	
<b>TWSD11-LRA</b>	
<b>TWSD25-LRA</b>	

Tool Model	L1 (mm)	L2 (mm)	L3 (mm)	H1 (mm)	R (mm)	W2 (mm)	W1 (mm)
<b>TWSD1</b>	139	170	112	146	29	87	34
<b>TWSD3</b>	169	196	124	176	39	105	45
<b>TWSD6</b>	195	237	142	206	46	136	51
<b>TWSD11</b>	234	292	179	242	55	165	61
<b>TWSD25</b>	306	375	231	314	72	200	77

Tool Model	Square Drive		Max. Torque		Tool Weight Drive
	mm	(in.)	Nm	(ft. lbs.)	kg
<b>TWSD1</b>	19.0	3/4	1,880	1,390	2.3
<b>TWSD3</b>	25.4	1	4,160	3,070	4.5
<b>TWSD6</b>	38.1	1-1/2	8,157	6,020	7.9
<b>TWSD11</b>	38.1	1-1/2	14,823	10,940	13.1
<b>TWSD25</b>	63.5	2-1/2	33,496	24,700	29.5

# Torque Wrench

## LOW CLEARANCE

**TWLC Series**  
**39,024 Nm MAX TORQUE**  
 700 bar

The Lightweight, heavy-duty tool features a long neck, short height, and small radius for inaccessible bolting areas found in industry.

### LOW CLEARANCE TORQUE WRENCHES

The TWLC Wrench was designed for the most inaccessible bolting areas found in industry. Its long neck, short height and small radius have all added to its great success

- Low Weight, High Strength Design
- Superior Torsional Strength
- Fast Operation Cycle
- Fine Tooth Pawl
- Floating Piston Design
- Auto-Connect Drive Piston
- Compact Frame Size
- Rigid Steel Body Construction
- Internal Swivel Manifold Relief
- Built-in Reaction Pad
- Small Nose Radius
- Tool Free Link Change
- Corrosion Resistant Finish
- Multi-Axis High Flow Swivel Manifold
- Simple Design
- Consistent Torque Output
- Marathon Lifetime Warranty

TOPSIDE  
SUB-SEA  
APPLICATION

RIGID  
LIGHTWEIGHT  
ALL-STEEL  
BODY

HYDRAULIC TOOLS

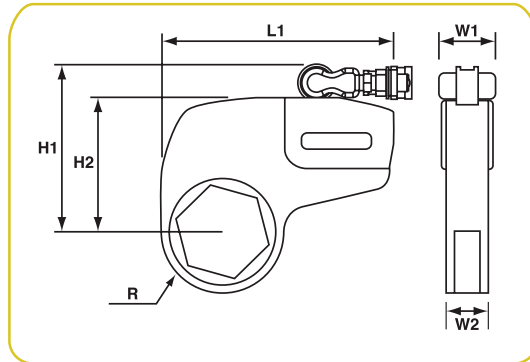



TWLC Series




360° x 180°  
Swivel

\* Links sold separately.  
Tool is not shipped with link.



<b>Reaction Paddle</b> (Optional)	
<b>TWLC2-RP</b> <b>TWLC4-RP</b> <b>TWLC8-RP</b> <b>TWLC15-RP</b> <b>TWLC30-RP</b>	

<b>Reaction Bar</b> (Optional)	
<b>TWLC2-RB</b> <b>TWLC4-RB</b> <b>TWLC8-RB</b> <b>TWLC15-RB</b> <b>TWLC30-RB</b>	

Tool Model	L1 (mm)	H1 (mm)	H2 (mm)	R (mm)	W1 (mm)	W2 (mm)
<b>TWLC2</b>	178	136	103	32-46	42	32
<b>TWLC4</b>	223	163	130	37-59	52	42
<b>TWLC8</b>	265	195	158	51-74	69	54
<b>TWLC15</b>	306	223	186	61-87	80	63
<b>TWLC30</b>	391	276	239	77-116	106	82

Tool Model (Hydraulic Unit)	Link		Max. Torque		Tool Weight
	Hex Range (A/F) mm	(in.)	Nm	(ft. lbs)	kg
<b>TWLC2</b>	32 - 60	1 1/4 - 2 3/8	2,134	1,575	2.8
<b>TWLC4</b>	40 - 80	1 1/2 - 3 1/8	5,386	3,975	5.7
<b>TWLC8</b>	60 - 100	2 3/8 - 3 7/8	10,773	7,950	10.4
<b>TWLC15</b>	65 - 120	2 9/16 - 4 5/8	20,221	14,850	16.9
<b>TWLC30</b>	80 - 155	3 1/8 - 6 1/8	39,024	28,800	35.0



Hydraulic Unit (TWLC)