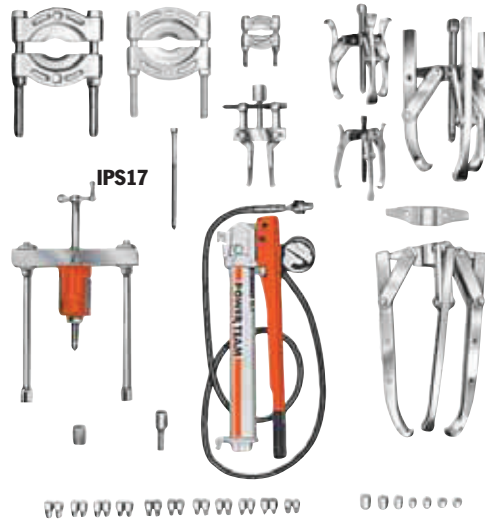


# Puller Sets

## HYDRAULIC

17½, 30 & 50 Ton



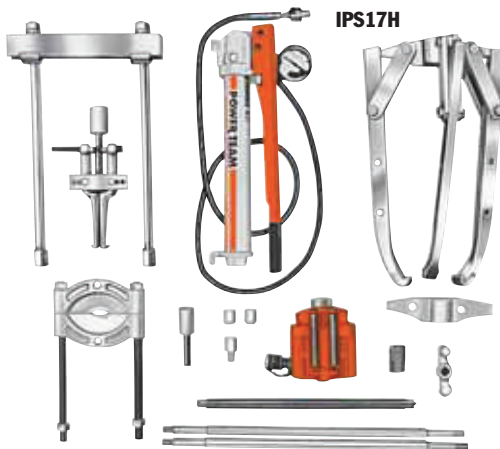
Wooden storage box No. **3084350R9** is included with the sets listed on this page. 1.016L x 406 W x 406 mmD Metal storage boxes also available (See page 145).

**17½ ton hydraulic master puller sets** – Having this Power Team puller set at your fingertips will not only reduce your downtime, but also increase your profits.

**No. IPS17** – 17½ ton capacity puller set. Includes hydraulics, pullers, wooden storage box and accessories listed below. Wt., 86,7 kg.

**No. IPS17B** – Puller set with MB5 metal box. Wt., 96,7 kg.

**No. DB17** – Board for storing IPS17 set. Must be ordered separately. Size: 15,9 x 1.200 x 1.800 mm long. Wt., 30,9 kg.



**17½ ton hydraulic puller set** - This set includes a 3-jaw puller and a Push-Puller®. Ideal for heavy duty applications; put this set to work wherever large gears, bearings, wheels, pulleys, etc. are found.

**No. IPS17H** – 17½ ton capacity hydraulic puller set. Includes hydraulics, pullers, wooden storage box and accessories listed below. Wt., 62,2 kg.

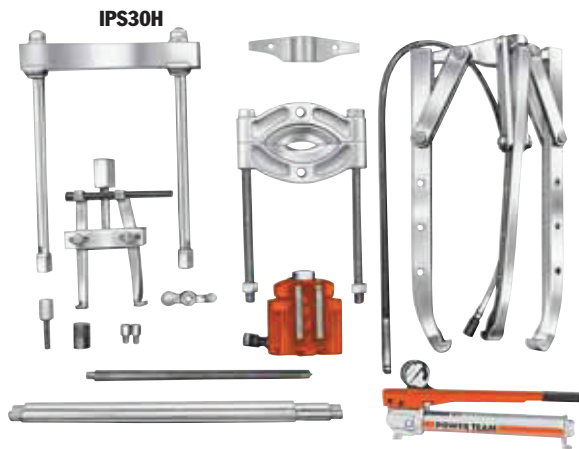
**No. DB17H** – Board for storing IPS17H set. Must be ordered separately. Size 15,9 x 1.200 x 1.200 mm Wt., 13,6 kg.

### CONTENTS OF SET NO. IPS17

Contents	Hydraulics	Contents	Accessories
<b>P55</b>	Single-stage hyd. hand Pump assembly	<b>1154</b>	Bearing cup pulling attach
<b>RT172</b>	17½ ton cylinder with threaded insert	<b>1122</b>	Bearing pulling attachment
<b>9798</b>	Hose half coupler	<b>1123</b>	Bearing pulling attachment
<b>9767</b>	Hydraulic hose – 1,8 m	<b>1130</b>	Bearing pulling attachment
<b>9670</b>	Tee adapter	<b>Threaded Adapters</b>	
<b>9059</b>	Pressure gauge	<b>8005</b>	5/8" – 18 F. x 3/8" – 16 M. (2)
<b>Pullers</b>		<b>8006</b>	5/8" – 18 F. x 1/2" – 20 M. (2)
<b>1062</b>	17½ ton cap. Push-Puller® with 419 mm legs	<b>8007</b>	5/8" – 18 F. x 1/2" – 13 M. (2)
<b>24814</b>	Speed crank	<b>8010</b>	5/8" – 18 F. x 5/8" – 11 M. (2)
<b>32118</b>	Adjusting screw	<b>8013</b>	5/8" – 18 F. x 3/4" – 16 M. (2)
<b>201923</b>	Pushing adapter	<b>8015</b>	5/8" – 18 F. x 3/4" – 10 M. (2)
<b>1105</b>	572 mm legs (pr)	<b>8017</b>	5/8" – 18 F. x 7/8" – 14 M. (2)
<b>1066</b>	17½ ton 3-jaw hyd. puller	<b>8018</b>	5/8" – 18 F. x 7/8" – 9 M. (2)
<b>1027</b>	Combination 2/3-jaw puller	<b>8019</b>	5/8" – 18 F. x 1" – 14 M. (2)
<b>41224</b>	17½ ton 2-jaw puller head	<b>8020</b>	1" – 8 F. x 5/8" – 18 M. (1)
<b>24832</b>	Puller screw	<b>8021</b>	1" – 8 F. x 1" – 14 M. (1)
<b>1037</b>	Combination 2/3-jaw puller	<b>8044</b>	Female threaded adapter set
<b>1041</b>	Combination 2/3-jaw puller	<b>8038</b>	5/8" – 18 F. x 3/4" – 16 F. (2)
<b>28228</b>	Cylinder cap	<b>679</b>	V-belt pulley pulling attachment
		<b>8056</b>	Set of 6 shaft protectors (8050-8055)
		<b>8075</b>	Set of 11 adaptors (8057-8067)

### CONTENTS OF SET NO. IPS17H

Contents	Hydraulics	Contents	Accessories
<b>P55</b>	Single-stage hydraulic hand pump assembly	<b>1154</b>	Bearing cup pulling attach.
<b>RT172</b>	17½ ton cylinder with threaded insert	<b>1130</b>	Bearing pulling attachment
<b>9798</b>	Hose half coupler	<b>1105</b>	572 mm legs (pr)
<b>9767</b>	Hydraulic hose – 1,8 m	<b>24814</b>	Speed crank
<b>9670</b>	Tee adapter	<b>28228</b>	Screw cap
<b>9059</b>	Pressure gauge	<b>32118</b>	Adjusting screw
<b>Pullers</b>		<b>201454</b>	Pushing adapter
<b>1062</b>	17½ ton cap. Push-Puller with 419 mm legs	<b>41224</b>	2-jaw head for 1066
<b>1066</b>	17½ ton 3-jaw hyd. puller	<b>Threaded Adapters</b>	
		<b>8020</b>	1" – 8 F. x 5/8" – 18 M. (1)
		<b>8038</b>	5/8" – 8 F. x 3/4" – 16 F. (1)



**30 ton capacity puller set** – Just what you need for those big jobs. Not only do you get a 30 ton hydraulic Push-Puller®, you also get a 2-jaw and 3-jaw hydraulic puller. Plus, many popular accessories and the hardware to tackle the big jobs right away.

**No. IPS30H** – 30 ton capacity hydraulic maintenance puller set. Includes hydraulics, pullers, wooden storage box and accessories listed below. Wt., 150 kg.

**No. DB30H** – Board for storing IPS30H set. Must be ordered separately. Size 15,9 x 1.200 x 1.800 mm Wt., 35,4 kg.

CONTENTS OF SET NO. IPS30H			
Contents	Hydraulics	Contents	Pullers
<b>P55</b>	Single-stage hydraulic hand pump assembly	<b>1074</b>	30 ton, 3-jaw hyd. puller
<b>RT302</b>	30 ton cylinder with threaded insert	<b>41226</b>	2-way head for 1074
<b>9798</b>	Hose half coupler	<b>1070</b>	30 ton cap. hydraulic Push-Puller® with 457 mm legs
<b>9767</b>	Hydraulic hose – 1,8 m	<b>1111</b>	711 mm legs for 1070
<b>9670</b>	Tee adapter	<b>27198</b>	Speed crank
<b>9059</b>	Pressure gauge	<b>28229</b>	Screw cap
<b>Accessories</b>		<b>34510</b>	Pushing adapter
<b>8036</b>	Female threaded adapters 1" – 14F. x 1" – 14F. (2)	<b>34758</b>	Adjusting screw
<b>1166</b>	Bearing cup pulling attach.		
<b>1127</b>	Bearing pulling attachment		

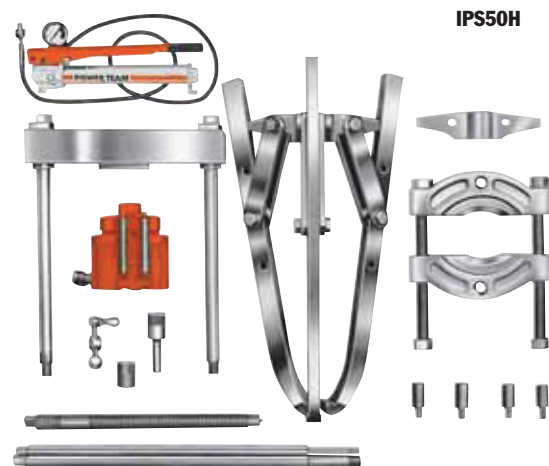


**Note:** Wooden storage box No. **3084380R9** is provided with the sets listed on this page. 1180L x 615H x 579D  
Metal storage boxes also available (See page 145).

**50 ton capacity puller set** - For those really big jobs, this 50 ton puller set is what you need. Just think of the jobs you can do with a 50 ton hydraulic Push-Puller®, a 2-jaw and a 3-jaw puller, both with a 50 ton capacity. Of course, you also get many versatile accessories and attachments.

**No. IPS50H** – 50 ton capacity hydraulic maintenance puller set. Includes hydraulics, pullers, wooden storage box and accessories listed below. Wt., 261 kg.

CONTENTS OF SET NO. IPS50H			
No.	Hydraulics	No.	Pullers
<b>P55</b>	Single-stage hydraulic hand pump assembly	<b>1080</b>	50 ton, 3-jaw hyd. puller
<b>RT503</b>	50 ton cylinder with threaded insert	<b>50449</b>	2-way head for 1080
<b>9798</b>	Hose half coupler	<b>1076</b>	50 ton cap. hydraulic Push-Puller® with 610 mm legs
<b>9767</b>	Hydraulic hose – 1,8 m	<b>1113</b>	864 mm legs for 1076
<b>9670</b>	Tee adapter	<b>29595</b>	Speed crank
<b>9059</b>	Pressure gauge	<b>28230</b>	Screw cap
<b>Threaded Adapters</b>		<b>34755</b>	Pushing adapter
<b>8024</b>	1 1/4" – 12F. x 1 3/4" – 12M. (2)	<b>32698</b>	Adjusting screw
<b>8028</b>	1 5/8" – 5 1/2 F. x 1" – 8M.	<b>Accessories</b>	
<b>8029</b>	1 5/8" – 5 1/2 F. x 1" – 14M.	<b>1128</b>	Bearing pulling attachment



**CAUTION:** All the items shown may not withstand the full tonnage specified. Example: When an accessory with a 1 ton capacity is used with a 7 ton puller, the setup can be used only at a force of 1 ton.

# Puller Sets

## HYDRAULIC

17½ & 30 Ton  
17½ & 50 Ton

BEARING MAINTENANCE

**17½ and 30 ton capacity puller sets** – These heavy-duty maintenance sets will more than pay for themselves, especially in saving you costly damage to parts. This set lets you tackle hundreds of applications where pushing and pulling are required.

**No. IPS3017** – 17½ and 30 ton capacity manual and hydraulic puller set. Includes hydraulics, pullers, and accessories listed below. Wt., 244 kg.

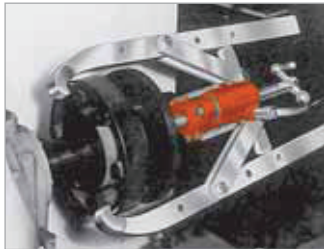
**No. IPS3017B** – Puller set with MB8 metal box. Wt., 256 kg.



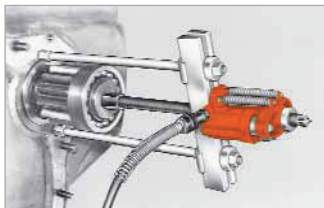
**Note:** Wooden storage box No. **3084360R9** is provided with this set. 1.016 L x 432 H x 610 mm D Metal storage boxes also available (See page 145).



2-jaw puller reaches through spokes of gear to grip hub. Hand pump supplies hydraulic power.



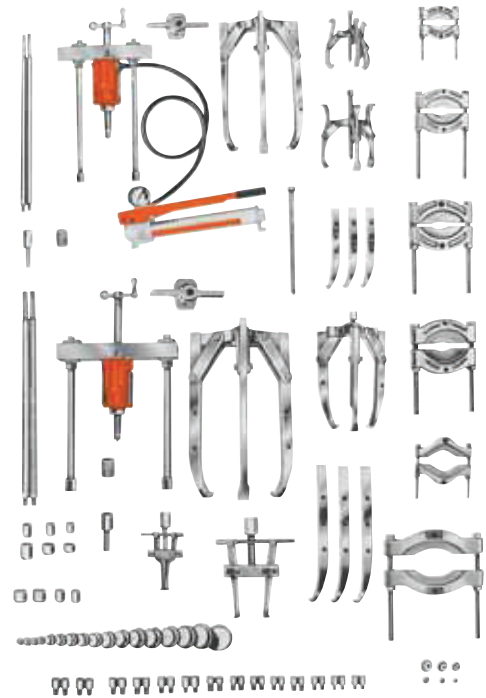
Flexible coupler is removed from electric motor shaft with 2-jaw puller.



Typical setup for removing sprocket drive pinion shaft. Puller screw is attached to shaft by threaded adapter. Shaft is now ready to be pulled out hydraulically.

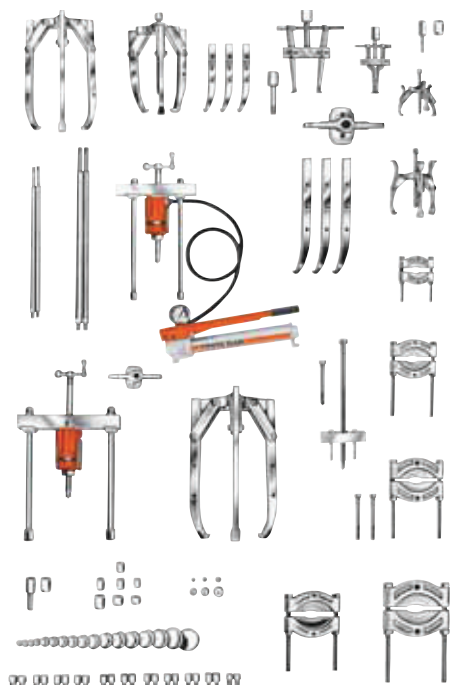
**CAUTION:** All the items shown may not withstand the full tonnage specified. Example: When an accessory with a 1 ton capacity is used with a 7 ton puller, the setup can be used only at a force of 1 ton.

IPS3017



CONTENTS OF SET NO. IPS3017			
No.	Hydraulics	No.	Accessories
<b>P55</b>	Single-stage hyd. hand pump assembly	<b>24832</b>	Special puller forcing screw
<b>RT172</b>	17½ ton center-hole twin cylinder w/ threaded insert	<b>8075</b>	Step plate adapter set
<b>RT302</b>	30 ton center-hole twin cylinder w/ threaded insert	<b>8076</b>	Step plate adapter set
<b>9798</b>	Hose half coupler	<b>8056</b>	Shaft protector set
<b>9767</b>	Hydraulic hose – 1,8 m	<b>679</b>	Pulley pulling attachment
<b>9670</b>	Tee adapter	<b>680</b>	Pulley pulling attachment
<b>9059</b>	Pressure gauge	<b>1154</b>	Bearing cup pulling attach.
<b>Pullers</b>		<b>1166</b>	Bearing cup pulling attach.
<b>1062</b>	17½ ton cap. hydraulic Push-Puller® w/419 mm legs	<b>1122</b>	Bearing pulling attachment
<b>1070</b>	30 ton cap. hydraulic Push-Puller® w/457 mm legs	<b>1123</b>	Bearing pulling attachment
<b>1066</b>	17½ ton 3-jaw hyd. puller	<b>1126</b>	Bearing pulling attachment
<b>1074</b>	30 ton 3-jaw hyd. puller	<b>1130</b>	Bearing pulling attachment
<b>41224</b>	17½ ton 2-jaw puller head	<b>Threaded Adapters</b>	
<b>41226</b>	30 ton 2-jaw puller head	<b>8005</b>	5/8" – 18 F. x 3/8" – 16 M. (2)
<b>1027</b>	Combination 2/3-jaw puller	<b>8006</b>	5/8" – 18 F. x 1/2" – 20 M. (2)
<b>1037</b>	Combination 2/3-jaw puller	<b>8007</b>	5/8" – 18 F. x 1/2" – 13 M. (2)
<b>1041</b>	Combination 2/3-jaw puller	<b>8010</b>	5/8" – 18 F. x 5/8" – 11 M. (2)
<b>43892</b>	Long jaws (3) for 1037	<b>8012</b>	1" – 14 F. x 5/8" – 18 M. (2)
<b>30902</b>	Long jaws (3) for 1041	<b>8013</b>	5/8" – 18 F. x 3/4" – 16 M. (2)
<b>1105</b>	572 mm legs for 1062	<b>8015</b>	5/8" – 18 F. x 3/4" – 10 M. (2)
<b>1111</b>	711 mm legs for 1070	<b>8017</b>	5/8" – 18 F. x 7/8" – 14 M. (2)
<b>24814</b>	Speed crank	<b>8018</b>	5/8" – 18 F. x 7/8" – 9 M. (2)
<b>27198</b>	Speed crank	<b>8019</b>	5/8" – 18 F. x 1" – 14 M. (2)
<b>28229</b>	Screw cap	<b>8020</b>	1" – 8 F. x 5/8" – 18 M. (1)
<b>28228</b>	Cylinder cap	<b>8021</b>	1" – 8 F. x 1" – 14 M. (1)
<b>32118</b>	Adjusting screw	<b>8025</b>	1¼" – 7 F. x 5/8" – 18 M. (2)
<b>34758</b>	Adjusting screw	<b>8027</b>	1¼" – 7 F. x 1" – 14 M. (2)
<b>34510</b>	Pushing adapter	<b>8036</b>	1" – 14 F. x 1" – 14 F. (2)
<b>201923</b>	Pushing adapter	<b>8038</b>	5/8" – 18 F. x 3/4" – 16 F. (2)
		<b>8044</b>	Female threaded adapter set





**17½ and 50 ton capacity puller sets** – If your looking for a maintenance puller set that will handle a wide variety of applications, this is the one for you. The mechanical and hydraulic pullers and attachments are designed to handle most removing and installing jobs with a minimal amount of effort.

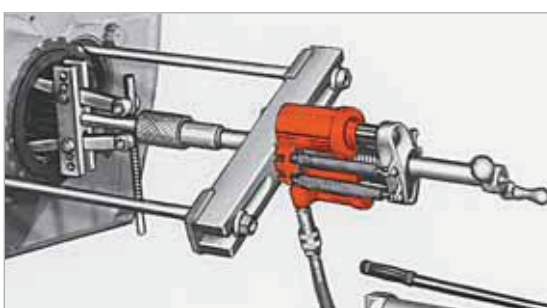
**No. IPS5017** – 17½ and 50 ton capacity manual and hydraulic puller set. Includes hydraulics, pullers, wooden storage box and accessories listed below. Wt., 405 kg.

**No. IPS5017B** – Puller set with MB16 metal box. Wt., 415 kg.

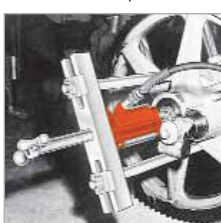
CONTENTS OF SET NO. IPS5017			
No.	Hydraulics	No.	Accessories
<b>P55</b>	Single-stage hyd. hand pump assembly	<b>8075</b>	Step plate adapter set
<b>RT172</b>	17½ ton center-hole twin cylinder w/ threaded insert	<b>8076</b>	Step plate adapter set
<b>RT503</b>	50 ton center-hole twin cylinder w/ threaded insert	<b>8056</b>	Shaft protector set
<b>9798</b>	Hose half coupler	<b>1154</b>	Bearing cup pulling attach.
<b>9767</b>	Hydraulic hose – 1,8 m	<b>1166</b>	Bearing cup pulling attach.
<b>9670</b>	Tee adapter	<b>1122</b>	Bearing pulling attachment
<b>9059</b>	Pressure gauge	<b>1123</b>	Bearing pulling attachment
	<b>Pullers</b>	<b>1126</b>	Bearing pulling attachment
<b>1062</b>	17½ ton cap. hydraulic Push-Puller® w/419 mm legs	<b>1127</b>	Bearing pulling attachment
<b>1076</b>	50 ton cap. hydraulic Push-Puller® w/610 mm legs	<b>1130</b>	Bearing pulling attachment
<b>1066</b>	17½ ton 3-jaw hyd. puller	<b>34479</b>	Reducing adapter for 1166
<b>1080</b>	50 ton 3-jaw hyd. puller	<b>10215</b>	Hex nut; ¾" – 16 (2)
<b>41224</b>	17½ ton 2-jaw puller head	<b>24829</b>	Short bolt
<b>50449</b>	50 ton 2-jaw puller head		<b>Threaded Adapters</b>
<b>1027</b>	Combination 2/3-jaw puller	<b>8005</b>	5/8" – 18 F. x 3/8" – 16 M. (2)
<b>1037</b>	Combination 2/3-jaw puller	<b>8006</b>	5/8" – 18 F. x 1/2" – 20 M. (2)
<b>1041</b>	Combination 2/3-jaw puller	<b>8007</b>	5/8" – 18 F. x 1/2" – 13 M. (2)
<b>43892</b>	Long jaws (3) for 1037	<b>8010</b>	5/8" – 18 F. x 5/8" – 11 M. (2)
<b>30902</b>	Long jaws (3) for 1041	<b>8013</b>	5/8" – 18 F. x 3/4" – 16 M. (2)
<b>1105</b>	572 mm legs for 1062	<b>8015</b>	5/8" – 18 F. x 3/4" – 10 M. (2)
<b>1113</b>	864 mm legs for 1076	<b>8019</b>	5/8" – 18 F. x 1" – 14 M. (2)
<b>24814</b>	Speed crank	<b>8020</b>	1" – 8 F. x 5/8" – 18 M. (1)
<b>29595</b>	Speed crank	<b>8021</b>	1" – 8 F. x 1" – 14 M. (1)
<b>28228</b>	Screw cap	<b>8023</b>	1¼" – 12 F. x 1" – 14 M. (2)
<b>28230</b>	Cylinder cap	<b>8028</b>	1½" – 5½ F. x 1" – 8 M. (1)
<b>32118</b>	Adjusting screw	<b>8029</b>	1½" – 5½ F. x 1" – 14 M. (1)
<b>32698</b>	Adjusting screw	<b>8038</b>	5/8" – 18 F. x 3/4" – 16 F. (1)
<b>34755</b>	Pushing adapter	<b>8044</b>	Female threaded adapter set
<b>201923</b>	Pushing adapter		
<b>7392</b>	Gear and pulley puller		
<b>24833</b>	Forcing screw for 7392		



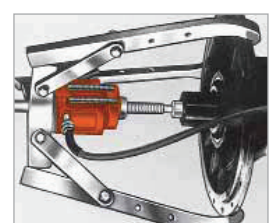
**Note:** Wooden storage box No. **3084360R9** is provided with this set. 1143 L x 572 H x 762 mm D Metal storage boxes also available (See page 145).



Combination of 50 ton capacity Push-Puller and cup pulling attachment simplifies the removal of a final drive axle seal.



Hydraulically powered Push-Puller removes drive wheel. Pulling attachment is used to provide gripping surface.



3-jaw puller provides grip while hydraulic hand pump provides power to push shaft from housing. Shaft protector is used on end of puller screw.

**CAUTION:** All the items shown may not withstand the full tonnage specified. Example: When an accessory with a 1 ton capacity is used with a 7 ton puller, the setup can be used only at a force of 1 ton.

# Puller Sets

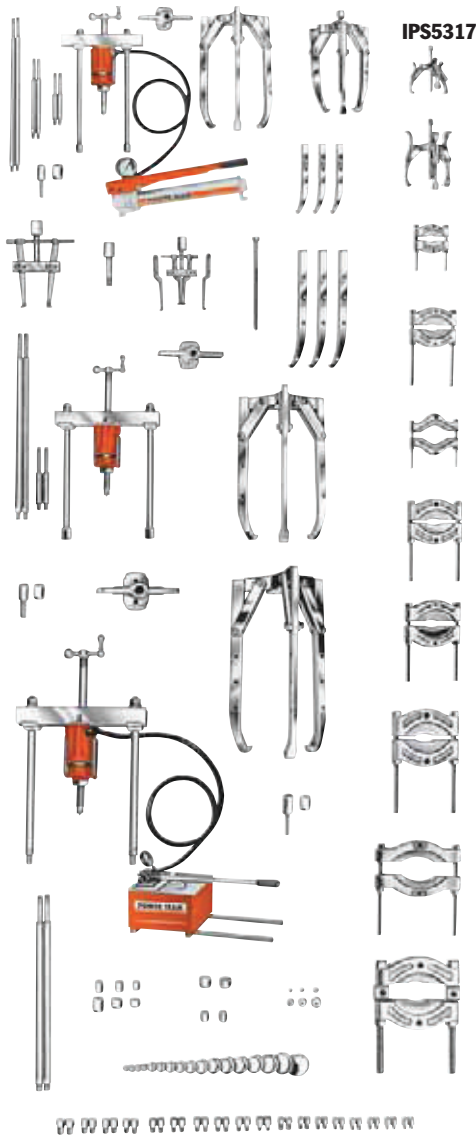
## HYDRAULIC

### 17<sup>1</sup>/<sub>2</sub>, 30 & 50 Ton

**17<sup>1</sup>/<sub>2</sub>, 30 & 50 ton capacity puller set** – Here's the ultimate in industrial puller sets! You'll find a puller for just about every job. Included in this "master set" are 17<sup>1</sup>/<sub>2</sub>, 30 and 50 ton hydraulics, along with an extensive assortment of pullers, attachments and adapters.

**No. IPS5317** – 17<sup>1</sup>/<sub>2</sub>, 30 and 50 ton capacity manual and hydraulic puller set. Includes hydraulics, pullers, wooden storage box and accessories listed below. Wt., 572 kg.

BEARING MAINTENANCE



IPS5317



**Note:** Wooden storage box No. **3084400R9** is provided with this set. 1168 L x 571H x 571 mm D Metal storage boxes also available (See page 145).

**CAUTION:** All the items shown may not withstand the full tonnage specified. Example: When an accessory with a 1 ton capacity is used with a 7 ton puller, the setup can be used only at a force of 1 ton.

#### CONTENTS OF SET NO. IPS5317

Contents	Hydraulics	Contents	Accessories
<b>P55</b>	Single-stage hyd. hand pump assembly	<b>28230</b>	Screw cap
<b>P460</b>	Two-stage hyd. hand pump w/ 3-way control valve	<b>32118</b>	Adjusting screw
<b>RT172</b>	17 <sup>1</sup> / <sub>2</sub> ton center-hole twin cylinder w/ threaded insert	<b>32698</b>	Adjusting screw
<b>RT302</b>	30 ton center-hole twin cylinder w/ threaded insert	<b>34758</b>	Adjusting screw
<b>RT503</b>	50 ton center-hole twin cylinder w/ threaded insert	<b>34510</b>	Pushing adapter
<b>9798</b>	Hose half coupler (2)	<b>34755</b>	Pushing adapter
<b>9767</b>	Hydraulic hose – 1,8 m (2)	<b>201923</b>	Pushing adapter
<b>9670</b>	Tee adapter	<b>8075</b>	Step plate adapter set
<b>9059</b>	Pressure gauge	<b>8076</b>	Step plate adapter set
<b>Pullers</b>		<b>8056</b>	Shaft protector set
<b>1062</b>	17 <sup>1</sup> / <sub>2</sub> ton cap. hydraulic Push-Puller® w/419 mm legs	<b>8056</b>	Shaft protector set
<b>1070</b>	30 ton cap. hydraulic Push-Puller® w/457 mm legs	<b>679</b>	Pulley pulling attachment
<b>1076</b>	50 ton cap. hydraulic Push-Puller® w/610 mm legs	<b>680</b>	Pulley pulling attachment
<b>1066</b>	17 <sup>1</sup> / <sub>2</sub> ton 3-jaw hyd. puller	<b>1154</b>	Bearing cup pulling attach.
<b>1074</b>	30 ton 3-jaw hyd. puller	<b>1166</b>	Bearing cup pulling attach.
<b>1080</b>	50 ton 3-jaw hyd. puller	<b>1122</b>	Bearing pulling attachment
<b>41224</b>	17 <sup>1</sup> / <sub>2</sub> ton 2-jaw puller head	<b>1123</b>	Bearing pulling attachment
<b>41226</b>	30 ton 2-jaw puller head	<b>1126</b>	Bearing pulling attachment
<b>50449</b>	50 ton 2-jaw puller head	<b>1127</b>	Bearing pulling attachment
<b>1027</b>	Combination 2/3-jaw puller	<b>1128</b>	Bearing pulling attachment
<b>1037</b>	Combination 2/3-jaw puller	<b>1130</b>	Bearing pulling attachment
<b>1041</b>	Combination 2/3-jaw puller	<b>34479</b>	Reducing adapter
<b>43892</b>	Long jaws (3) for 1037	<b>Threaded Adapters</b>	
<b>30902</b>	Long jaws (3) for 1041	<b>8005</b>	5/8" – 18 F. x 3/8" – 16 M. (2)
<b>32136</b>	Long jaws (3) for 1154	<b>8006</b>	5/8" – 18 F. x 1/2" – 20 M. (2)
<b>1105</b>	572 mm legs for 1062	<b>8007</b>	5/8" – 18 F. x 1/2" – 13 M. (2)
<b>1106</b>	241 mm legs for 1062	<b>8010</b>	5/8" – 18 F. x 5/8" – 11 M. (2)
<b>1107</b>	114 mm legs for 1062	<b>8012</b>	1" – 14 F. x 5/8" – 18 M. (2)
<b>1109</b>	203 mm legs for 1070	<b>8013</b>	5/8" – 18 F. x 3/4" – 16 M. (2)
<b>1111</b>	711 mm legs for 1070	<b>8015</b>	5/8" – 18 F. x 3/4" – 10 M. (2)
<b>1113</b>	864 mm legs for 1070	<b>8017</b>	5/8" – 18 F. x 7/8" – 14 M. (2)
<b>Accessories</b>		<b>8018</b>	5/8" – 18 F. x 7/8" – 9 M. (2)
<b>24832</b>	Special puller forcing screw	<b>8019</b>	5/8" – 18 F. x 1" – 14 M. (2)
<b>24814</b>	Speed crank	<b>8020</b>	1" – 8 F. x 5/8" – 18 M. (1)
<b>27198</b>	Speed crank	<b>8021</b>	1" – 8 F. x 1" – 14 M. (1)
<b>29595</b>	Speed crank	<b>8023</b>	1 1/4" – 12 F. x 1" – 14 M. (2)
<b>28228</b>	Screw cap	<b>8024</b>	1 1/4" – 12 F. x 1 1/4" – 12 M. (2)
<b>28229</b>	Screw cap	<b>8025</b>	1 1/4" – 7 F. x 5/8" – 18 M. (2)
		<b>8027</b>	1 1/4" – 7 F. x 1" – 14 M. (2)
		<b>8028</b>	1 5/8" – 5 1/2 F. x 1" – 8 M. (1)
		<b>8029</b>	1 5/8" – 5 1/2 F. x 1" – 14 M. (1)
		<b>8036</b>	1" – 14 F. x 1" – 14 F. (2)
		<b>8038</b>	5/8" – 18 F. x 3/4" – 16 F. (2)
		<b>8044</b>	Female threaded adapter set