

Puller Sets

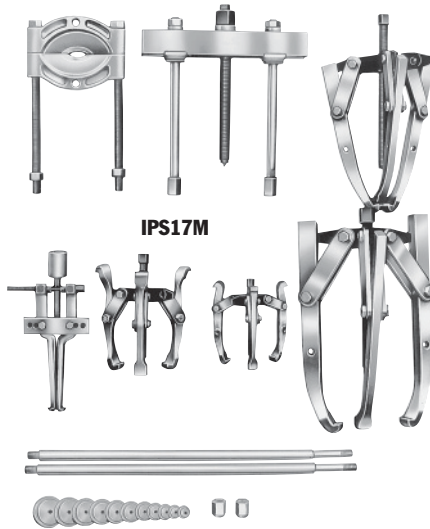
MANUAL

10 & 17½ Ton



IPS10M

10 ton manual puller set – This puller set is just what you need for removing gears, bearings, etc. Includes pullers, attachments, and many accessories.



IPS17M

17½ ton manual puller set – The pullers and accessories in this set can be used for hundreds of applications including quick and easy maintenance involving removal and replacement of press-fit parts.

BEARING MAINTENANCE

Manual Puller Set No. Order No.	Set Contents		Set Contents	
	Contents	Pullers	Contents	Accessories
IPS10M 10 ton capacity Wt., 24 kg.	927	10 ton capacity Push-Puller® with 171 mm legs	8075	Step plate adapter set
	1023	2 ton combination 2/3-jaw puller	8044	Female threaded adapter set
	1026	5 ton combination 2/3-jaw puller	8035	Female threaded adapter: ½"-20 x ⅝"-18
	1027	5 ton combination 2/3-jaw puller	1151	Bearing cup pulling attachment
	1037	7 ton combination 2/3-jaw puller	1121	Bearing pulling attachment
	1178	Slide hammer set	1122	Bearing pulling attachment
IPS17M 17½ ton capacity Wt., 52,7 kg.	938	17½ ton capacity Push-Puller® with 241 mm legs	1123	Bearing pulling attachment
	1027	5 ton combo 2/3-jaw puller, with long jaws	1101	400 mm long puller legs for 927 (pr.)
	1037	7 ton combination 2/3-jaw puller	8075	Step plate adapter set
	1041	13 ton combination 2/3 jaw puller	1105	572 mm legs for 938
	1045	17½ ton 3-jaw puller	1130	Bearing pulling attachment
			1151	Bearing cup pulling attachment
			8038	Female adapter: ⅝"-18 F. x ¾"-16 F. (2)

Note: Storing boards must be ordered separately.

No. DB10M – Board for storing IPS10M set. Size 9,5 x 900 x 1200 mm high. Wt., 10,9 kg.

No. DB17M – Board for storing IPS17M set. Size 9,5 x 900 x 1200 mm high. Wt., 11,4 kg.