

# Puller

## Accessories

**Hydra Grip-O-Matic® puller accessory kits – K82** accessory kit for the Hydra-Grip-O-Matic® puller No. PH83C. Includes 2-way puller head, 2 jaws, 2 threaded legs and sturdy carrying/storage case.

**No. K82** – Accessory kit for PH83C Grip-O-Matic® hydraulic puller. K83 2/3 way head accessories kit for a Hydra Grip-O-Matic® puller No. PH83C. Includes 2/3 way puller head, 3 jaws, 3 threaded legs and sturdy carrying/storage case.

**No. K83** – Accessory kit for PH83C Grip-O-Matic® hydraulic puller.



K82



K83

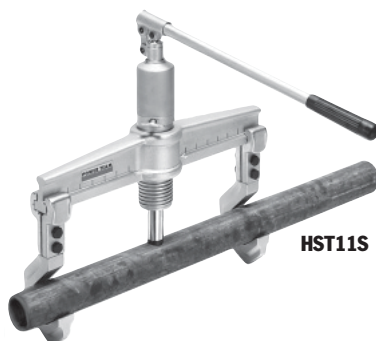


**Puller Accessory converts PH113C into a Hydraulic Straightening Tool** – Portable...Good for straightening mechanical shafts, round bars, etc. Simply remove pump and cylinder from puller head and insert them into the straightening tool accessory. This product is widely used in steel mills, wire roll companies, wire extruding companies, textile industry, and any straightening situation where portability and power are required. Contoured heat-treated shaft adapter included.

**No. HST11** – Spread: 89 to 410 mm, Reach: 150 mm. Wt., 9,5 kg.

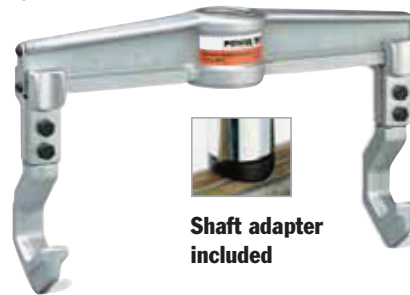
**Long jaw set for PH83C and PH113C Grip-O-Matic® pullers** – This long jaw set is the perfect addition to the PH83C or PH113C Grip-O-Matic® hydraulic pullers. The extra long jaws give you the added capability of pulling a wider variety of parts. Jaw capacity is 8 tons when used with the PH83C puller; 11 tons when used with the PH113C puller.

**No. 1188** – Spread: 280 to 317 mm, Reach: 317mm.



HST11S

HST11



Shaft adapter included



1188