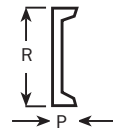
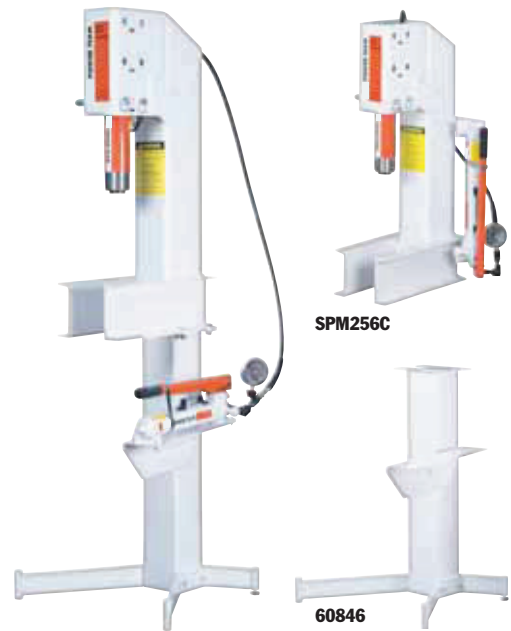


Shop Press C FRAME

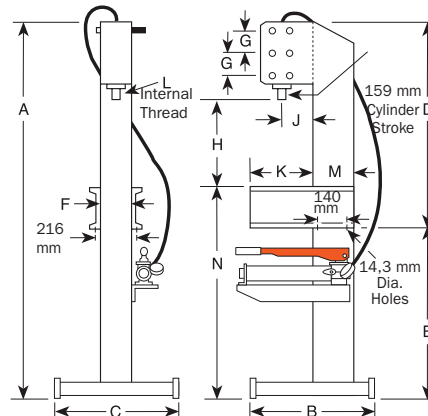
25 Tons
Press

SHOP EQUIPMENT

- Can be bench mounted or on optional pedestal base.
- Bench mount requires less than 1.4 sq. m. of space; on optional pedestal, only 0,4 sq.m. of floor space is needed.
- "Open Throat" design makes loading and unloading of work easy.
- Cylinder head adjusts to three convenient working positions, providing up to 514 mm of "daylight."
- Hydraulic cylinder delivers a 159 mm stroke, is driven by a P59 two-speed hand pump.
- **Pedestal Base No. 60846** – Provides a stable base for SPM256C. Includes a bracket for mounting the pump on the side of pedestal press. Wt., 34,5 kg. (Available as optional)



Lower Bolster



DIMENSIONS

A	B	C	D	E	F	G	H (Cyl. Retracted)	J	K	L	M	N	P	R	Floor Space
(mm)	(mm)	(mm)	(mm)	(mm)	(mm)	(mm)	(mm)	(mm)	(mm)	(mm)	(mm)	(mm)	(mm)	(mm)	(mm)
1.972	622	610	1.057	914	152	127	260, 387, 514	165	318	1½ - 16	203	1.092	51	178	610 x 622

ORDERING INFORMATION

Capacity (tons)	Type Cyl. Used	Stroke (mm)	Cyl. Model	Order No.	Speed** Advance	Pressing	Type Pump	Pump Model	Prod.Wt. (kg)
25	Single-Acting	159	C256C	SPM256C*	3,3 mm/ stroke	0,8 mm/ stroke	Hand	P59	108

* SPM256C does not include No. 60846 pedestal base.

** Typical performance based on pump specifications. Actual speeds may vary with operating conditions.

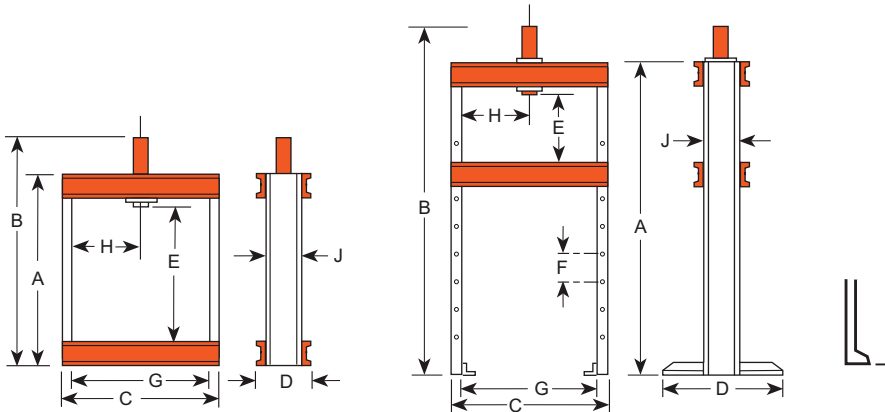
Shop Press H FRAME

10 Tons Bench/Floor Press



- Ideal for small pressing jobs; repairing small motors, armatures, removing and installing gears, bearings, other press-fit parts.
- Bench press has 391 x 457 mm work area; floor press bed height is adjustable from 127 mm to 1.041 mm with horizontal "daylight" of 553 mm.
- Choices of power sources: single-speed hand pump, electric/hydraulic or air/hydraulic.
- Hydraulic gauges, hoses and fittings included.
- Pump electrical specification PE10 series - 0.19kW 220/230V 50/60Hz, Single Phase.

SHOP EQUIPMENT



DIMENSIONS

	A	B	C	D	E	F	G	H	J	K	L	Bench Space	Floor Space
Frame	(mm)	(mm)	(mm)	(mm)	(mm)	(mm)	(mm)	(mm)	(mm)	(mm)	(mm)	(mm)	(mm)
Bench	622	841	641	182	391	—	559	279	102	40	102	182 x 641	—
Floor	1.499	1.718	641	711	127-1.041	152	559	63,5-470*	102	40	102	—	711 x 730

*Lateral head movement

ORDERING INFORMATION

Frame	Cap. (tons)	Type of Cyl. Used	Stroke	Cylinder Model	Order No.	Speed (mm./min.)†††	Type Pump	Pump Model †	Prod. Wt. (kg)
222481 Bench	10	Single-Acting	257	C1010C	SPM1010	1,5 mm/stroke	Hand	P55	41,2
222480 Floor	10	Single-Acting	257	C1010C	SPH1010	1,5 mm/stroke	Hand	P55	77,5
222480 Floor	10	Single-Acting	257	C1010C	SPE1010-220	55,7 5,1	Elec. ††	PE102-220	79,3
222480 Floor	10	Single-Acting	257	C1010C	SP1010A	93,7 7,6	Air	PA9H	78,1
222480 Floor	10	Double-Acting	254	RD1010	SPE1010D-220	55,7 5,1	Elec. ††	PE104-220	87,0

† Optional air/hydraulic pumps available on request.

†† "Advance" position holds pressure with motor shut off. "Return" position advances cylinder with motor running and returns cylinder with motor shut off.

††† Typical performance based on 7 bar and 700 bar pump specifications. Actual speeds may vary with operating conditions.

Available with 110/115V, 50/60Hz, Single Phase motor:-

- **SPE 1010** (Single-Acting) comes with PE102 Pump.
- **SPE 1010D** (Double-Acting) comes with PE104 Pump.

Optional: **PE17** series 2-speed pump with 0.37 kW motor.