

Spreaders HYDRAULIC

1-1/2 Ton



HS3000
(High Grade Ductile Iron)



HS2000
(Forged Steel)

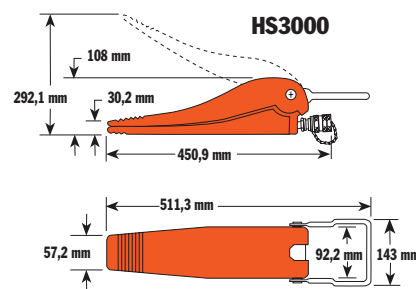
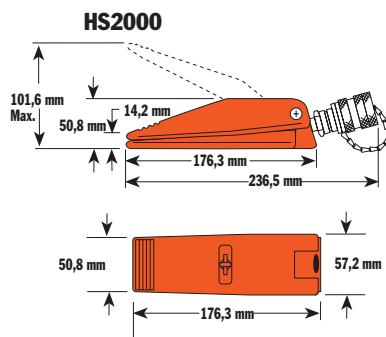
Tested to conform to ASME B30.1 standard

It's a hydraulic pry bar!

- Use to lift machines or as a clamp; spread concrete forms or rebar or perform straightening jobs.
- Conforms to ASME B30.1 standard.
- High strength alloy steel forged upper and lower jaws on HS2000.
- Jaws are spring-return; retract automatically when pressure is released.

No. HS2000 – 1-ton capacity spreader. Full 908 kg capacity at 700 bar with 102mm spread. Can be "dead-ended" at 102mm spread under full load. Needs only 14,2mm clearance to engage jaws.

No. HS3000 – 1½-ton capacity spreader. Full 1.362 kg capacity at 700 bar with 292 mm spread. Greater than competitive units. Needs only 30,2 mm clearance to engage jaws. Can be "dead-ended" at 292 mm spread at full load.



Capacity (tons)	Max. Spread (mm)	Order Number										Oil Capacity (cm ³)	Min. Clearance Required (mm)	Weight (kg)
			A (mm)	B (mm)	C (mm)	D (mm)	E (mm)	F (mm)	G (mm)	H (mm)	I (mm)			
1	101,6	HS2000	101,6	50,4	14,3	252,52	236,5	50,8	176	57	—	4	14,2	2,2
1½	292	HS3000	292	108	30,2	—	451	57,2	511	143	92	20	30,2	10

HS2000 SPECIFICATIONS

Maximum rated capacity1 ton at 700 bar
 Maximum spread101,6 mm
 Minimum clearance required14,2 mm
 Cm³ oil required 4

HS3000 SPECIFICATIONS

Maximum rated capacity 1½-ton at 700 bar
 Maximum spread 292 mm
 Minimum clearance required.....30,2 mm
 Cm³ oil required 20

HYDRAULIC TOOLS